

# PROSUPPORT TUBE SYSTEM

ADJUSTABLE AND MODULAR SUPPORTS SYSTEM FOR OUTDOOR FLOATING FLOORS

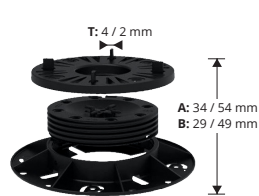
**PROSUPPORT TUBE SYSTEM** is an adjustable and modular supports system for outdoor floating floors from the height of 29 mm to 1000 mm. The system is composed of 1 base, 2 screws, 1 flange, 2 heads and several pvc pipes to obtain the requested height. Both heads, according to the screw, can be fix or self-levelling.

**PATENTED**

## PROSUPPORT TUBE SYSTEM KIT HEIGHTS

FULL KIT - Pack. 40 Pcs. - Items not for sale individually. Minimum order one pack.

A: SUPPORT'S HEIGHT WITH SELF-LEVELING INSTALLATION  
B: SUPPORT'S HEIGHT WITH FIX SIDE INSTALLATION  
T: THICKNESS OF THE SPACER FLAP



FULL KIT CODE	
PST3454/4 T = 4 mm	PST3454/2 T = 2 mm
€/Pc.	
€/Pack.	



FULL KIT CODE	
PST5474/4 T = 4 mm	PST5474/2 T = 2 mm
€/Pc.	
€/Pack.	



FULL KIT CODE	
PST7494/4 T = 4 mm	PST7494/2 T = 2 mm
€/Pc.	
€/Pack.	



FULL KIT CODE	
PST94114/4 T = 4 mm	PST94114/2 T = 2 mm
€/Pc.	
€/Pack.	



FULL KIT CODE	
PST114134/4 T = 4 mm	PST114134/2 T = 2 mm
€/Pc.	
€/Pack.	



FULL KIT CODE	
PST134154/4 T = 4 mm	PST134154/2 T = 2 mm
€/Pc.	
€/Pack.	



FULL KIT CODE	
PST154174/4 T = 4 mm	PST154174/2 T = 2 mm
€/Pc.	
€/Pack.	



FULL KIT CODE	
PST174194/4 T = 4 mm	PST174194/2 T = 2 mm
€/Pc.	
€/Pack.	



FULL KIT CODE	
PST194214/4 T = 4 mm	PST194214/2 T = 2 mm
€/Pc.	
€/Pack.	

© 2022 All rights reserved by Progress Profiles. Printed in Italy

### HEIGHTS GREATER THAN 209 mm

H (mm) SELF-LEVELING HEAD (A)	H (mm) FIX HEAD (B)
214/234	209/229
234/254	229/249
254/374	249/269
274/294	269/289
294/314	289/309
314/334	309/329
334/354	329/349
354/374	349/369
374/394	369/389
394/414	389/409
414/434	409/429
434/454	429/449
454/474	449/469
474/494	469/489
494/514	489/509

Choose the kit according to the desired tile joint (T)

PST3454/4 T = 4 mm	PST3454/2 T = 2 mm
-----------------------	-----------------------



PST3454/...

PIPE	FLANGE	€/PC.
	PSTGH 02	
+ PSTT 175		
+ PSTT 195		
+ PSTT 215		
+ PSTT 235		
+ PSTT 255		
+ PSTT 275		
+ PSTT 295		
+ PSTT 315		
+ PSTT 335		
+ PSTT 355		
+ PSTT 375		
+ PSTT 395		
+ PSTT 415		
+ PSTT 435		
+ PSTT 455		

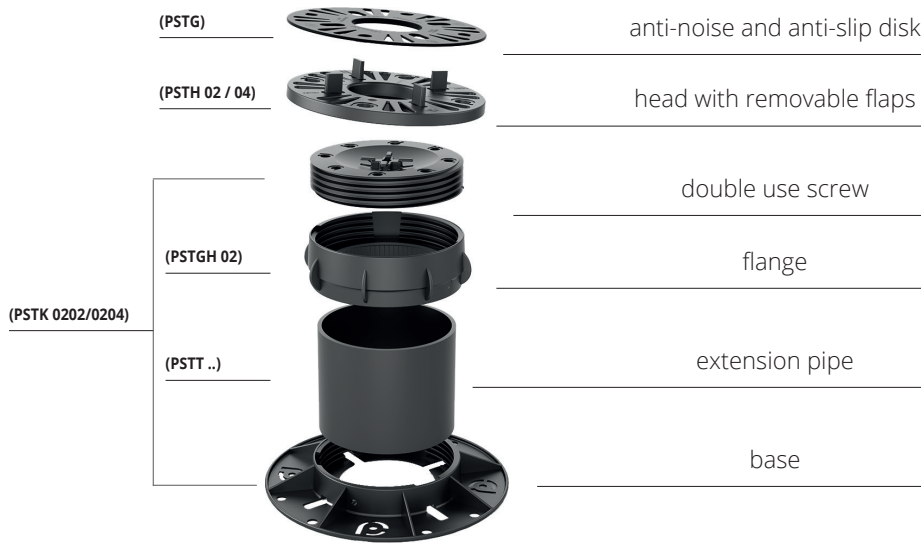


PSTGH 02

PRODUCTS FOR LAYING

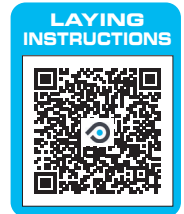
## SELF-LEVELING HEAD MODE

Self-levelling head mode  
Max height 1000 mm with max slope of 5%.



## FIXED HEAD MODE

Fixed head mode  
Max height 1000 mm

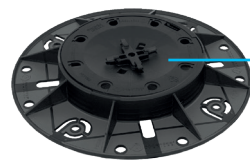


## PROSUPPORT TUBE SYSTEM COMPONENTS

BASE +SCREW 20/40 mm  
polypropylene - pack. 40 Pc. (PSTK 0202) - pack. 20 Pc. (PSTK 0204)

Article	Thickness (mm)	kit / pack.	€/Pc	€/pack.
PSTK 0202	20	40		
PSTK 0204	40	20		

Items not for sale individually. Minimum order one pack.



PSTK 0202



PSTK 0204

BASE +  
SCREW 20 mm

BASE +  
SCREW 40 mm

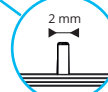
HEAD with removable flaps 2/4 mm  
polypropylene - pack. 40 Pc.

Article	flap Thk (mm)	kit/pack.	€/Pc	€/pack.
PSTH 02	2	40		
PSTH 04	4	40		

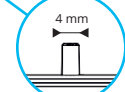
Items not for sale individually. Minimum order one pack.



PSTH 02 / PSTH 04



FLAP THICKNESS 2 mm - PSTH 02



FLAP THICKNESS 4 mm - PSTH 04

FLANGE 40 mm  
polypropylene - pack. 40 pcs

Article	H (mm)	Pc/pack.	€/Pc	€/Pack.
PSTGH 02	40	40		

Connection nut with a lower side of 110 mm inner diameter, where the pipe of different heights should be inserted, and one side with thread where the regulation screws should be inserted.

Items not for sale individually. Minimum order one pack.



PSTGH 02

ANTI-NOISE AND ANTI-SLIP DISK  
rubber - H 1,5 mm - Ø 150 - pack. 120 pcs

Article	H / Ø mm	Pc/pack.	€/Pc	€/Pack.
PSTG	H 1,5 - Ø150	120		

The non-slip rubber disk to be used with the heads of PROSUPPORT TUBE SYSTEM reduces noises till 25 dB.

Items not for sale individually. Minimum order one pack.



PSTG

PRE-CUT EXTENSION PIPE - outer diameter Ø110 mm Thickness 4 mm - polyethylene polypropylene - pack. 40 Pc.

Article	H (mm)	Pc/pack.	€/Pc	€/pack.
PSTT 35	35	40		
PSTT 55	55	40		
PSTT 75	75	40		
PSTT 95	95	40		
PSTT 115	115	40		
PSTT 135	135	40		
PSTT 155	155	40		

Items not for sale individually. Minimum order one pack.



PSTT...

FULL LENGHT EXTENSION PIPE - outer diameter Ø110 mm Thickness 4 mm - polyethylene or polypropylene - pallet 43 Pc.

Article	H (ml)	ml/pallet.	€/ml	€/Pc	€/pallet
PSTT 2700	2,7	116			

Items not for sale individually. Minimum order one pallet.

UPON REQUEST IT IS POSSIBLE TO HAVE HEIGHTS TILL 1000 MM USING PIPES FROM 155 TILL 955. For information and installation instructions ask for the technical data sheet. Price to be agreed. Production delay 4/5 weeks.



PSTT 2700

270 cm