

**PROJOLLY QUART** is a quarter-circle rounded bead profile in anodized and polished aluminium that can be applied on external corners of coverings. It can be used to close the perimeter of coverings and like a connection profile between step tread and riser of stairs coated with ceramic and natural stone tiles. Its particular section and elegance, the availability in four finishes and special pieces such as internal and external corners, end caps and joints make **PROJOLLY QUART** a much sought-after profile that allows an elegant workmanlike application.

# PROJOLLY QUART

ANODIZED AND POLISHED ALUMINIUM



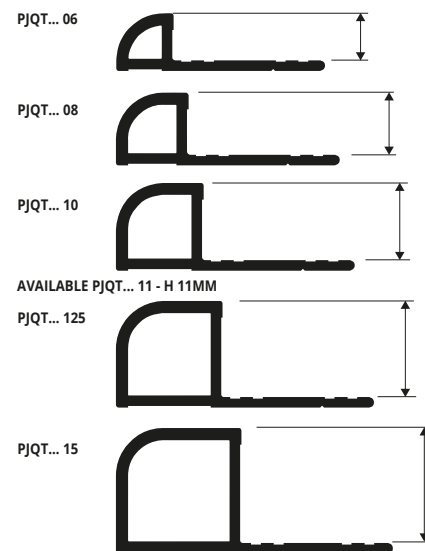
**ANODIZED ALUMINIUM** (silver-titanium-gold-antique bronze) thermo packed bar length 2,7 lm - pack. 40 Pcs - 108 lm (H 12,5 mm, 15 mm - pack. 20 Pcs)

Article	H mm		
PJQTAA 06	6		
PJQTAA 08	8		
PJQTAA 10	10		
PJQTAA 11	11		
PJQTAA 125	12,5		
PJQTAA 15	15		
PJQTAO 06	6		
PJQTAO 08	8		
PJQTAO 10	10		
PJQTAO 11	11		
PJQTAO 125	12,5		
PJQTAT 08	8		
PJQTAT 10	10		
PJQTAT 11	11		
PJQTAT 125	12,5		
PJQTBRA 10	10		
PJQTBRA 125	12,5		

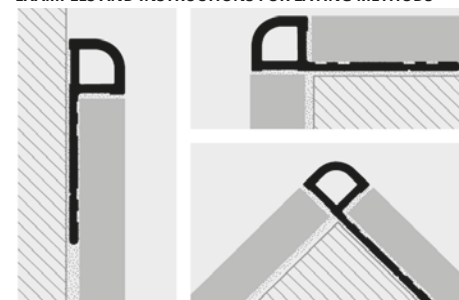


**POLISHED ALUMINIUM** (chrome-titanium-gold) thermo packed - bar length 2,7 lm - pack. 40 Pcs - 108 lm (H 15 mm - 54 lm) - (H 12,5 mm, 15 mm - pack. 20 Pcs)

Article	H mm		
PJQTBC 06	6		
PJQTBC 08	8		
PJQTBC 10	10		
PJQTBC 11	11		
PJQTBC 125	12,5		
PJQTBC 15	15		
PJQTBO 06	6		
PJQTBO 08	8		
PJQTBO 10	10		
PJQTBO 11	11		
PJQTBO 125	12,5		
PJQTB 08	8		
PJQTB 10	10		
PJQTB 11	11		
PJQTB 125	12,5		

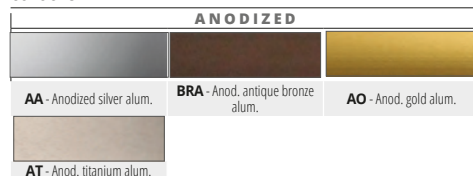


### EXAMPLES AND INSTRUCTIONS FOR LAYING METHODS



1. Choose "PROJOLLY QUART" according to the tile thickness and desired finish.
2. Cut "PROJOLLY QUART" to the desired length and apply the adhesive on the support where the profile will be laid.
3. Press the anchoring flange of "PROJOLLY QUART" into the adhesive.
4. Lay the tiles, aligning them with the profile leaving a 2 mm joint. Remove immediately all remains of adhesive from the surface of the profile.
5. Fill the joints between the profile and the tiles with grout, in order to avoid water stagnation. Remove immediately all the remains of grout from the surface of the profile.

### COLOURS



ON DEMAND MAY BE REALISED IN OTHER FINISHES OF THE COLOUR CHART.  
CONTACT OUR CUSTOMER SERVICE FOR MINIMUM QUANTITY, TIMING AND PRICE.

## CAPSULES, END CAPS and THREE-WAYS JOINTS

ANODIZED, POLISHED ALUMINIUM / PLASTIC

Capsules & end caps of the on demand profiles are also on demand \*

### CAPSULES and END CAPS - ANODIZED ALUMINIUM

Article	H mm	Pack 10 Pcs	Pack 2 Pcs
CPJQTAA .../...	06/08/10/ 11/125/15		
IPJQTAA .../...	06/08/10/ 11/125/15		
TPJQTAA .../...	06/08/10/ 11/125/15		
CPJQTAO .../...	06/08/10/ 11/125		
IPJQTAO .../...	06/08/10/ 11/125		
TPJQTAO .../...	06/08/10/ 11/125		
CPJQTAT .../...	08/10/11/125		
IPJQTAT .../...	08/10/11/125		
TPJQTAT .../...	08/10/11/125		
CPJQTBRA .../...	10/125		
IPJQTBRA .../...	10/125		
TPJQTBRA .../...	10/125		

Choose the desired pack. & height  
Ex.: 4,5 mm capsule in 10 Pcs Pack - CPJQTAA 10/10

### CAPSULES and END CAPS - POLISHED ALUMINIUM

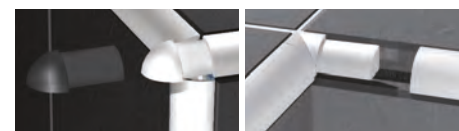
Article	H mm	Pack 10 Pcs	Pack 2 Pcs
CPJQTBC .../...	06/08/10/ 11/125/15		
IPJQTBC .../...	06/08/10/ 11/125/15		
TPJQTBC .../...	06/08/10/ 11/125/15		
CPJQTBO .../...	06/08/10/ 11/125		
IPJQTBO .../...	06/08/10/ 11/125		
TPJQTBO .../...	06/08/10/ 11/125		
CPJQTB 08/10/11/125			
IPJQTB 08/10/11/125			
TPJQTB 08/10/11/125			

Choose the desired pack. & height  
Ex.: 4,5 mm capsule in 10 Pcs Pack - CPJQTBC 10/10

### JOINTS - PLASTIC

Article	H mm	Pack 10 Pcs	Pack 2 Pcs
GIJQT .../...	06/08/10/ 11/125/15		

Choose the desired pack. & height  
Ex.: 10 mm joint in 10 Pcs Pack - GIJQT 10/10



EXTERNAL CAPSULES  
CPJQT.../.../...

INTERNAL CAPSULES  
IPJQT.../.../...



END CAP  
TPJQT.../.../...



JOINT  
GIJQT.../.../...

\* = Production on demand with minimum quantity of 100 pcs. Production delay 4/5 weeks. Price to be agreed