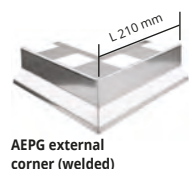
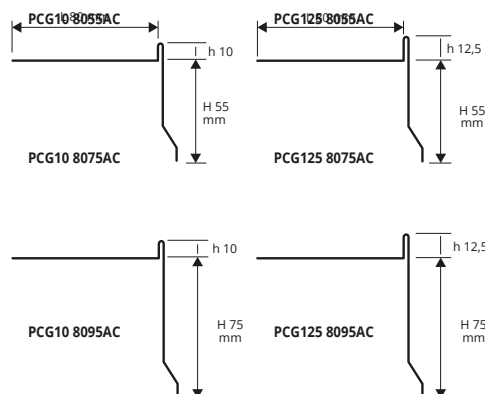


PROTERRACE PCG

POLISHED STAINLESS STEEL AISI 304/1.4301-V2A

PROTERRACE PCG is an edging profile in polished stainless steel INOX AISI 304/1.4301-V2A designed to protect the edges of the tiles laid on terraces and balconies and to allow a correct water discharge. The profile is equipped with a punched flange that ensures its fixing to the support. The flange is also provided with small holes that allow the momentary fixing of the profile with nails. The availability of special pieces such as external corners and junctions make **PROTERRACE PCG** a much sought after and easy to lay profile. The product is also available on request in **BENDABLE VERSION**



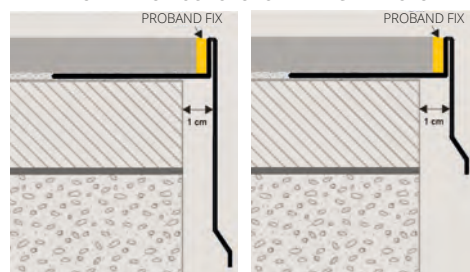
POLISHED STAINLESS STEEL AISI 304/1.4301-V2A with protective film
bar length 2,7 lm - pack 5 Pcs - 13,5 lm (H 55 mm - 18,9 lm)

Article	h x H x L mm		
PCG10 8055AC	10 x 55 x 80		
PCG10 8075AC	10 x 75 x 80		
PCG10 8095AC	10 x 95 x 80		
PCG125 8055AC	12,5 x 55 x 80		
PCG125 8075AC	12,5 x 75 x 80		
PCG125 8095AC	12,5 x 95 x 80		

EXTERNAL CORNERS - pack 10 Pcs

Article		
AEPG10 55AC/75AC/95AC/10		
AEPG125 55AC/75AC/95AC/10		

EXAMPLES AND INSTRUCTIONS FOR LAYING METHODS



1. Choose "PROTERRACE PCG" according to the tile thickness. 2. Fix the external corners to the screed with nails taking care to separate them at least 1 cm from it. 3. Cut "PROTERRACE PCG" to the desired length. Lay the profile and fix it with nails. Connect it with the corners using the junctions. 4. Apply the desired waterproofing system. 5. Lay the tiles, leaving about 5 mm between tiles and profile. 6. Seal the space between tiles and profile with **PROBAND FIX (P.186)**.

PROFILE BENDING: 1) Cut the anchoring flange into sections and engrave the metal close to the vertical side **2)** bend the profile with the help of a template;

JOINTS - pack 10 Pcs

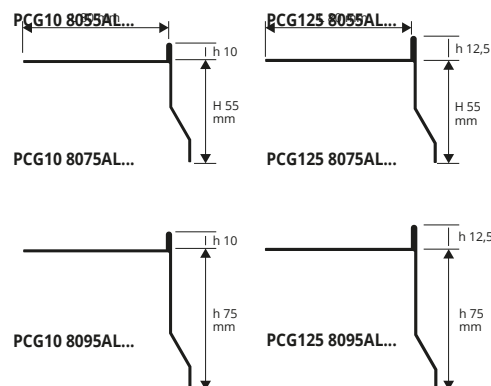
Article		
GING10 55AC/75AC/95AC/10		
GING125 55AC/75AC/95AC/10		

* Corners and joints of the on demand profiles are also on demand

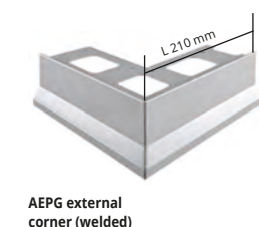
PROTERRACE PCG

VARNISHED/COATED ALUMINIUM

PROTERRACE PCG is an edging profile designed to protect the edges of the tiles laid on terraces and balconies and to allow a correct water discharge. The profile is equipped with a punched flange that ensures its fixing to the support and which is also provided with small holes that allow the momentary fixing of the profile with nails. The availability of special pieces such as external corners and junctions make **PROTERRACE PCG** a much sought after and easy to lay profile. To reach a right connection between profile and the waterproofing system it's needed to use **PROBAND 150** with **PROBAND KOLL/AB**. The product is also available on request with a **SPECIAL SEASIDE PRE-TREATMENT** which increases its resistance to corrosion when installed at sea front environments. The product is also available on request in **BENDABLE VERSION**



HOW TO REQUEST SEASIDE TREATMENT
When placing your order please add S to the article's number
Example: PCG10 8055ALGF (seaside) = **PCG10 8055ALGFS**



VARNISHED/COATED ALUMINIUM
bar length 2,7 lm - pack 5 Pcs - 13,5 lm (H 55 mm - 18,9 lm)

Article	h x H x L mm		
PCG10 8055AL...	10 x 55 x 80		
PCG10 8055ALG	10 x 55 x 80		
PCG10 8075AL...	10 x 75 x 80		
PCG10 8075ALG	10 x 75 x 80		
PCG10 8095AL...	10 x 95 x 80		
PCG10 8095ALG	10 x 95 x 80		
PCG125 8055AL...	12,5 x 55 x 80		
PCG125 8075AL...	12,5 x 75 x 80		
PCG125 8095AL...	12,5 x 95 x 80		

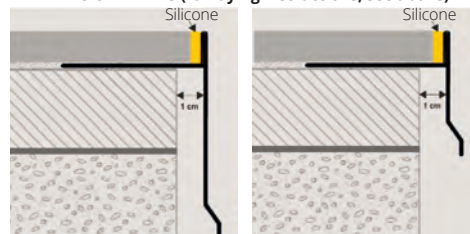
Available in the colours: BF - White (9010) GF - Grey (7038) A - Anthracite grey (no RAL) TF - Dark brown (8019)
The code of the selected colour must be added to the article code. E.g.: PCG10 8055AL... (white) PCG10 8055ALB.

EXTERNAL CORNERS - pack 10 Pcs

Article		
AEPG10 55AL.../75AL.../95AL.../10		
AEPG125 55AL.../75AL.../95AL.../10		

The code of the selected colour must be added to the article code. E.g.: AEPG10 55AL... (white) AEPG10 55ALB.

EXEMPLES OF LAYING (for laying instructions, see above)



EMBOSSSED COLOURS

BF - White (9010)	GF - Grey (7038)	A - Anthracite grey (no RAL)	TF - Dark brown (8019)
-------------------	------------------	------------------------------	------------------------

COLOURS ON DEMAND

EMBOSSSED	
EF - Beige (1019)	C - Corten

SEMIGLOSSY

B - White (9010)	G - Grey (7038)	E - Beige (1019)	T - Dark brown (8019)
------------------	-----------------	------------------	-----------------------

JOINTS - pack 10 Pcs

Article		
GING10 55AL.../75AL.../95AL.../10		
GING125 55AL.../75AL.../95AL.../10		

* Corners and joints of the on demand profiles are also on demand

News 2023

* = Production on demand with minimum quantity of 100 pcs. Production delay 4/5 weeks. Price to be agreed