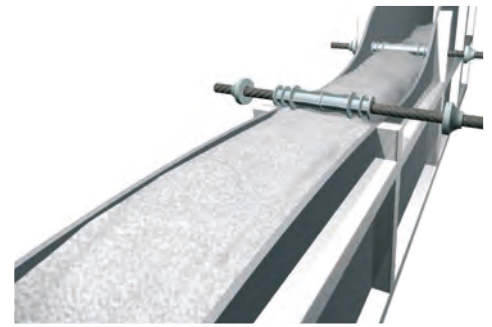
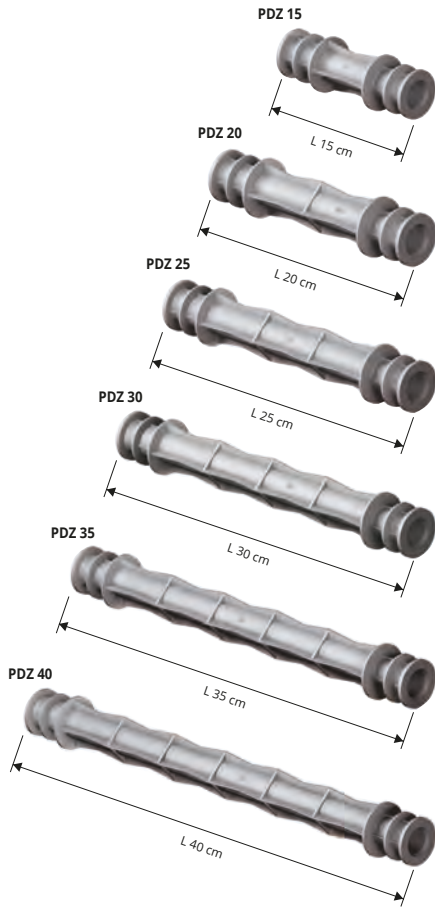


# PRODISTANZ

GREY HD POLYPROPYLENE

**PRODISTANZ** is a patented new product that simplifies, improves and speeds up the work of securing and preparing shuttering panels used in the casting of concrete; it avoids the cutting and assembling in situ of the tubular water-washer (traditional system). **PRODISTANZ** is recommended for its special, very strong structure, which is resistant to compressive stress and prevents water infiltration thanks to the lateral ribs along the cylindrical part and the horizontal supports and circles. It consists of a single plastic element and is available in a wide range of lengths 15-20-25-30-35-40 cm (in packs of 100 Pcs.). They come with watertight plugs in a choice of two types. Watertight caps at 18 Atm. / Bar.

spacers



**GREY HD POLYPROPYLENE**  
pack. 100 Pcs + 200 end caps

Article	L cm		
PDZ 15	15		
PDZ 20	20		
PDZ 25	25		
PDZ 30	30		
PDZ 35	35		
PDZ 40	40		

**SIMPLE FAST ECONOMIC**

- Exclusive patented product
- High resistance to compressive stress and to water infiltration
- Fast, assured work, without waste, cutting costs or pipe scraps
- Extremely easy to use
- Vast range available: 15-20-25-30-35-40 cm
- Innovative design – guaranteed
- Quality - Constant colour and quality



## END CAPS AND JOINTS FOR PRODISTANZ

GREY HD POLYPROPYLENE - PVC/RUBBER

TIGPC 22



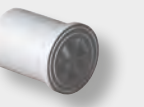
GPDZ 22



PPTC 22



PPTC 22 hollow plug for plaster



Hollow plug: for better anchorage of the plaster. (new) standard.

**HOLLOW END CAPS - GREY HD POLYPROPYLENE**

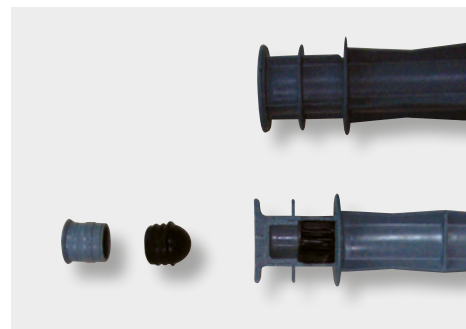
pack. 2000 Pcs divided into two 1000 Pcs bags

Article	Ø mm	Pcs/Pack.		
PPTC 22	22	2000		

**SMOOTH PLUGS - GREY HD POLYPROPYLENE**

pack. 2000 Pcs divided into two 1000 Pcs bags

Article	Ø mm	Pcs/Pack.		
PPT 22	22	2000		



**INSIDE END CAPS - PVC/RUBBER**

pack. 2000 Pcs divided into two 1000 Pcs bags

Article	Ø mm		
TIGPC 22	22		

**JOINT - GREY HD POLYPROPYLENE**

pack. 1000 Pcs divided into two 500 Pcs bags

Article	Ø mm		
GPDZ 22	22		

