

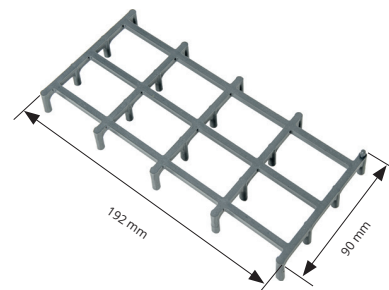
SPACER for vertical and horizontal meshes. complete with hooks fixing to mesh.
dimensions 192 x 90 mm.

SPACER FOR VERTICAL/HORIZONTAL MESH

GREY HD POLYETHYLENE

GREY HD POLYETHYLENE
length 192 mm - width 90 mm

Article	H mm		
DVO 10 (Pack. 400 Pcs)	10		*
DVO 15 (Pack. 400 Pcs)	15		*
DVO 20 (Pack. 300 Pcs)	20		*
DVO 25 (Pack. 120 Pcs)	25		*
DVO 30 (Pack. 250 Pcs)	30		
DVO 35 (Pack. 200 Pcs)	35		*



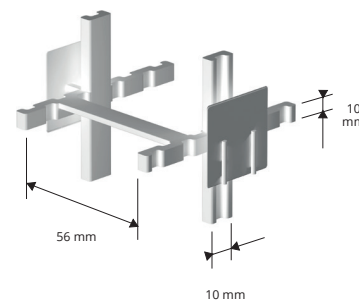
spacers

SPACER FOR GLASS BRICK

HD STYROFOAM

WHITE HD STYROFOAM
pack. 600 Pcs

Article	Thick mm		
DSVT	10		*

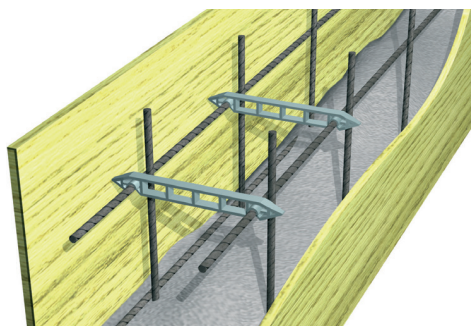


spacers

With the **DOPPY** type spacer with double slot, two Ø 4 to 8 mm mesh reinforcements may be kept simultaneously at the same distance from the formwork.

TYPE "DOPPY" WITH DOUBLE SLOT

GREY HD POLYPROPYLENE

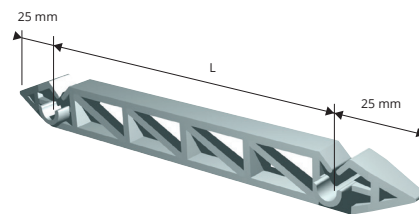


GREY HD POLYPROPYLENE - for mesh up to Ø 8 mm
pack. 500 Pcs

Article	mesh dist. L mm		
PPY 15	100		*

GREY HD POLYPROPYLENE - for mesh up to Ø 8 mm
pack. 250 Pcs

Article	mesh dist. L mm		
PPY 20	150		*
PPY 25	200		*
PPY 30	250		*



spacers

* = Production on demand with minimum quantity of 10000 pcs. Production delay 4/5 weeks. Price to be agreed.