

## PROFILE WITH TRIANGULAR CHAMFER

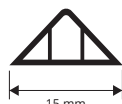
GREY RIGID PVC

The **TRIANGULAR CHAMFER** is made in grey rigid PVC in various widths 10-15-20-30 mm and standard length of 2 lm. It is mainly used to chamfer the corners of the concrete pours when making, for example, walls-columns etc. It is strong and easy to lay.

PST 10  
scale 1:1



PST 15  
scale 1:1



PST 20  
scale 1:1



PST 30  
scale 1:1



### LAYING INSTRUCTIONS

Put the nails into the central part along the profile before pouring the concrete.

GREY RIGID PVC

bar length 2 lm - pack. 50 Pcs - 100 lm

Article	Width mm	€/lm	€/Pc
PST 10	10		
PST 15	15		

20.000 lm pallets

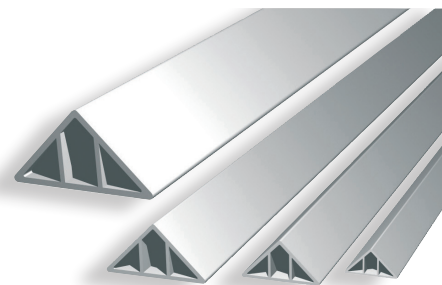
GREY RIGID PVC

bar length 2 lm - pack. 50 Pcs - 100 lm

Article	Width mm	€/lm	€/Pc
PST 20	20/22		
PST 30	30/32		

PST 20: 15.000 lm / pallets

PST 30: 10.000 lm / pallets



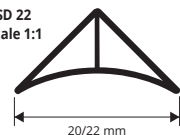
## ROUNDED TRIANGULAR CHAMFER FILLET

GREY RIGID PVC

PSD 32  
scale 1:1



PSD 22  
scale 1:1



### LAYING INSTRUCTIONS

Put the nails into the central part along the profile before pouring the concrete.

GREY RIGID PVC

bar length 2 lm - pack. 50 Pcs - 100 lm

Article	L mm	€/lm	€/Pc
PSD 22	20/22		
PSD 32	30/32		

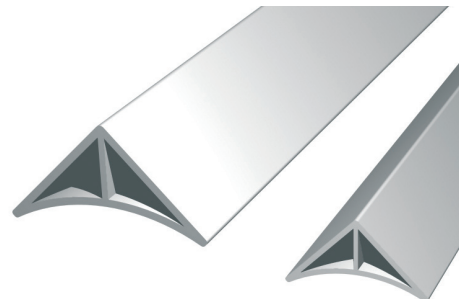
PSD 22: 15.000 lm / pallets

PSD 32: 10.000 lm / pallets

### COLOURS



G - Grey



## FISHBONE RIBBED JOINT

GREY RIGID PVC

### COLOURS



G - Grey

### LAYING INSTRUCTIONS

Laying is very simple: just insert the ribbed joint into the gap deliberately left in the concrete or the screed.

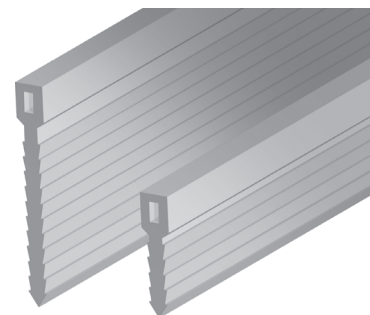
GREY RIGID PVC

bar length 2 lm - pack. 50 Pcs - 100 lm

Article	H x L mm	€/lm	€/Pc
GRP 25	25 X 5		
GRP 45	45 X 5		

GRP 25: 10.000 lm / pallets

GRP 45: 5.000 lm / pallets



## PROFILE WITH DOUBLE CHAMFER - FOR BALCONIES

GREY RIGID PVC

### COLOURS



G - Grey

### LAYING INSTRUCTIONS

Laying is very simple: just fix it with nails or clamps in the relative formwork prior to pouring the concrete.

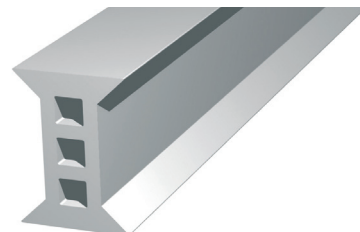
GREY RIGID PVC

on demand bar length

Article	H mm	€/lm
R 117	80	*

### PROFILE SPECIFICATIONS:

- Chamfer angle 45°
- Chamfer length 20 mm
- Bar length on demand
- Weight x metre ≈ 2,3 Kg



\* = Production on demand with minimum quantity of 100 pcs. Production delay 4/5 weeks. Price to be agreed.

Prices are referred to whole packs.