

MORTAR-LAID MOVEMENT JOINTS are a range of joints in co-extruded vinyl resin with the flanges and vertical supports made in rigid synthetic vinyl resin and the elastic central part in flexible synthetic vinyl resin. The mortar-laid joints must be placed at least 0.5-1mm below the level of the ceramic tile-marble-granite floor and never above. Suitable for pedestrian traffic, they absorb compressive and slip stress. Laying modules between 16 and 30 m² inclusive are recommended and the joint laid in line with the joints in the underlying screed. Available in various colours and heights. Lay the joints according with the standards in force.

MORTAR-LAID JOINTS

CO-EXTRUDED VINYL RESIN



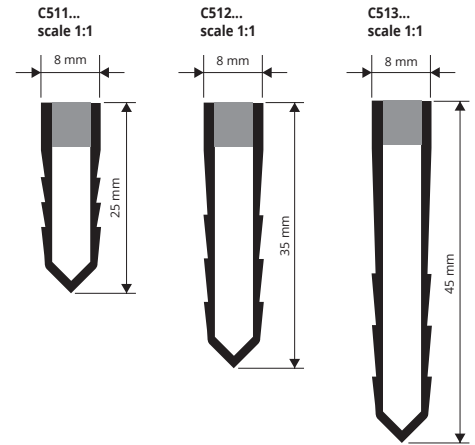
CO-EXTRUDED VINYL RESIN

bar length 2,5 lm - pack. 40 Pcs - 100 lm (C513 - pack. 50 lm)

Article	L x H mm	€/lm	€/Pc
C511...	8 X 25		
C512...	8 X 35		
C513...	8 X 45		

ARTICLES NOT FOR SALE SINGLY

Available combinations: GS-GT-GL (RT-MT-BIBI-B-A and N available on demand with a minimum quantity order of 400 pcs). The code of the selected colour must be added to the article code. E.g.: C511... (combination chosen colour dark grey/transparent) C511 GT.



movement joints

COLOURS

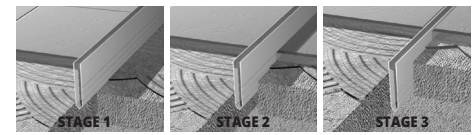
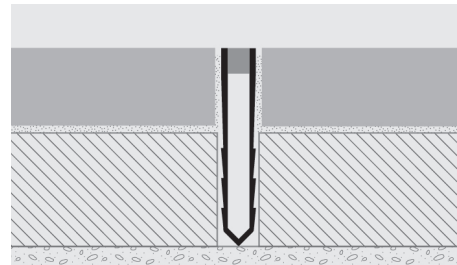
GS - Dark grey for rigid and flexible part	GT - Dark grey for rigid part / Transparent for flexible part	GL - Light grey for rigid and flexible part

ON DEMAND MINIMUM QUANTITY 400 PCS for colour and height

RT - Red for rigid part / Transparent for flexible part	MT - Brown for rigid part / Transparent for flexible part	BIBI - White for rigid and flexible part
B - Beige (E84)	A - Ivory (E81)	N - Black for rigid and flexible part

(Price to be agreed. Production delay 4/5 weeks)

EXAMPLES OF LAYING



1. Choose the colour and the necessary height of the joint, calculating the thickness of the finished floor and the thickness of the screed. 2. Insert the joint into the screed letting it protrude slightly (stage 1-2-3). 3. Proceed with laying the floor, aligning it with the rigid vertical part of the joint. 4. Complete laying by levelling the joint with the floor. 5. Using the mortar, grout the gap between the tiles and the profile.

This **DOUBLE SILICONE JOINT** is a co-extruded profile in hard and soft PVC. The double internal silicone provides a high degree of resistance to any type of compressive stress, heavy loads and foot traffic. The extension is designed to lengthen the joint, extending it to the total depth of auxiliary or insulation castings as required. Lay the joints according with the standards in force.

MORTAR-LAID DOUBLE JOINT

VINYL RESIN CO-EXTRUSION (PVC)



CO-EXTRUDED VINYL RESIN (PVC) WITH DOUBLE SILICONE

bar length 2,5 lm - pack. 40 Pcs - 100 lm (GDSP 43 - CONF. 50 lm)

Article	L x H mm	€/lm	€/Pc
GDSP 43...	10 X 43		
GDS 23...	10 X 25		
GP 20	8 X 20		

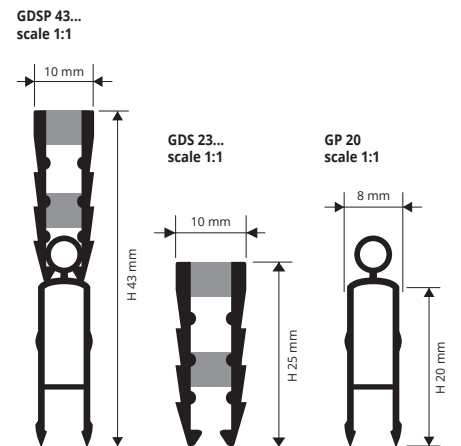
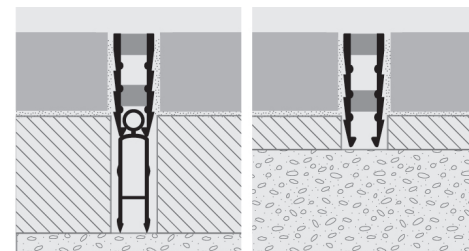
ARTICLES NOT FOR SALE SINGLY

Available combinations: GS - GT - GL. The code of the selected colour must be added to the article code. E.g.: GDSP 43... (combination chosen colour dark grey/transparent) GDSP 43GT.

COLOURS

GS - Dark grey for rigid and flexible part	GT - Dark grey for rigid part / Transparent for flexible part	GL - Light grey for rigid and flexible part

EXAMPLES AND INSTRUCTIONS FOR LAYING METHODS



movement joints

1. Choose the colour and the necessary height of the joint, calculating the thickness of the finished floor and the thickness of the screed. 2. Insert the joint into the screed letting it protrude slightly. 3. Proceed with laying the floor, aligning it with the rigid vertical part of the joint. 4. Complete laying by levelling the joint with the floor. 5. Using the mortar, grout the gap between the tiles and the profile.