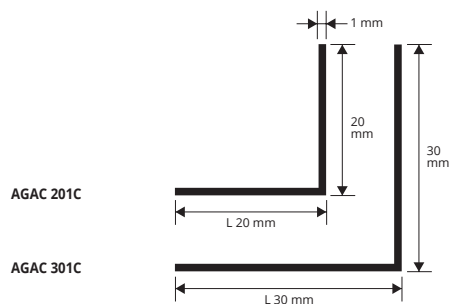


CORNER EQUAL SIDES

POLISHED STAINLESS STEEL 1.4016

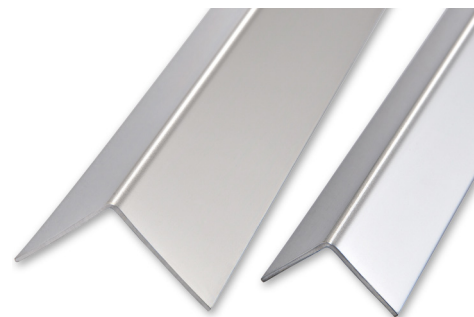


POLISHED STAINLESS STEEL 1.4016 with protective film
thick 1 mm - bar length 2 lm - pack. 10 Pcs - 20 lm

| Article | L x H mm | | |
|-----------|----------|--|--|
| AGAC 201C | 20 x 20 | | |
| AGAC 301C | 30 x 30 | | |

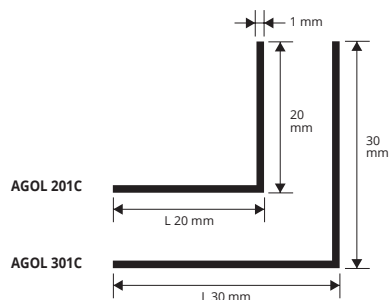
On demand are available 1 lm bars.

COLOURS



CORNER EQUAL SIDES

POLISHED BRASS

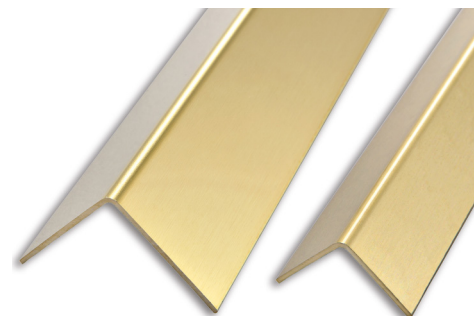
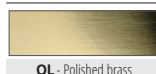


POLISHED BRASS with protective film
thick 1 mm - bar length 2 lm - pack. 10 Pcs - 20 lm

| Article | L x H mm | | |
|-----------|----------|--|---|
| AGOL 201C | 20 x 20 | | * |
| AGOL 301C | 30 x 30 | | * |

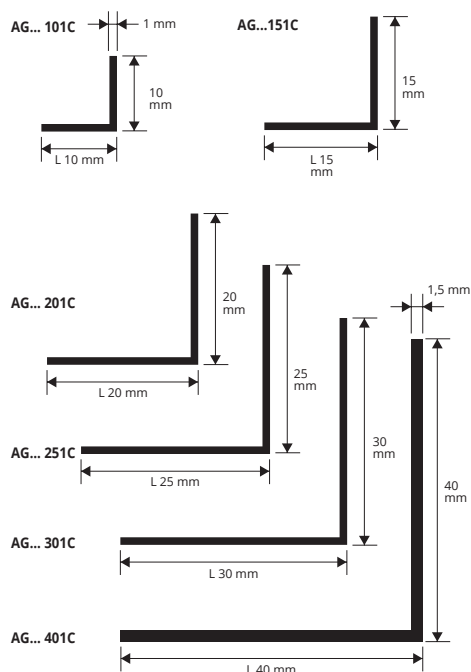
On demand are available 1 lm bars.

COLOURS



CORNER EQUAL SIDES

ANODIZED GOLD AND SILVER, POLISHED CHROME AND WHITE VARNISHED ALUMINIUM



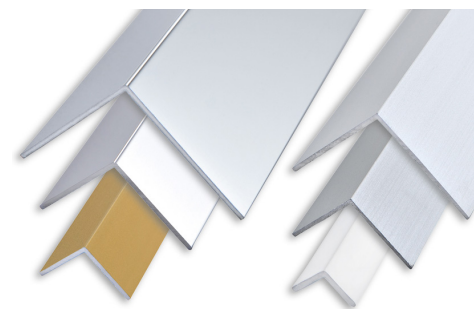
ANODIZED GOLD and SILVER ALUMINIUM thermo packed
bar length 2 lm - pack. 10 Pcs - 20 lm

| Article | L x H mm | | |
|------------|----------|--|--|
| AG... 101C | 10 x 10 | | |
| AG... 151C | 15 x 15 | | |
| AG... 201C | 20 x 20 | | |
| AG... 251C | 25 x 25 | | |
| AG... 301C | 30 x 30 | | |
| AG... 401C | 40 x 40 | | |

Available in the finishes: AO - AA.
The code of the selected colour must be added to the article code.
E.g.: AG... 101C (chosen finish anodized gold) AGAO 101C.

POLISHED CHROME ALUMINIUM thermo packed
bar length 2 lm - pack. 10 Pcs - 20 lm

| Article | L x H mm | | |
|-----------|----------|--|--|
| AGBC 101C | 10 x 10 | | |
| AGBC 151C | 15 x 15 | | |
| AGBC 201C | 20 x 20 | | |
| AGBC 251C | 25 x 25 | | |
| AGBC 301C | 30 x 30 | | |
| AGBC 401C | 40 x 40 | | |

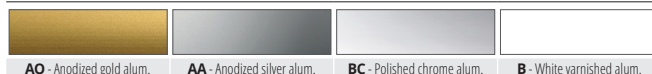


WHITE VARNISHED ALUMINIUM thermo packed
bar length 2 lm - pack. 10 Pcs - 20 lm

| Article | L x H mm | | |
|----------|----------|--|--|
| AGB 101C | 10 x 10 | | |
| AGB 151C | 15 x 15 | | |
| AGB 201C | 20 x 20 | | |
| AGB 251C | 25 x 25 | | |
| AGB 301C | 30 x 30 | | |
| AGB 401C | 40 x 40 | | |

On demand are available 1 lm bars.

COLOURS



* = Production on demand with minimum quantity of 100 pcs. Production delay 4/5 weeks. Price to be agreed