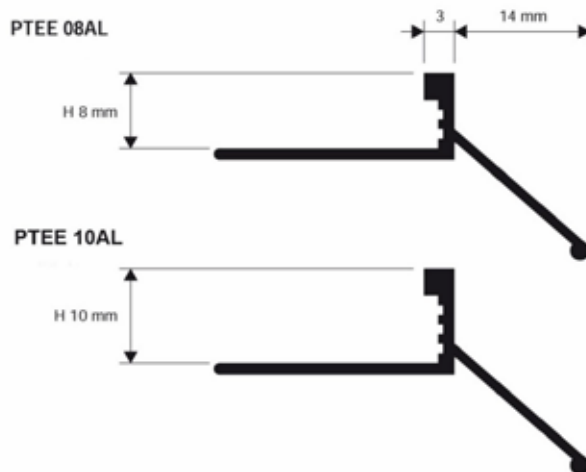
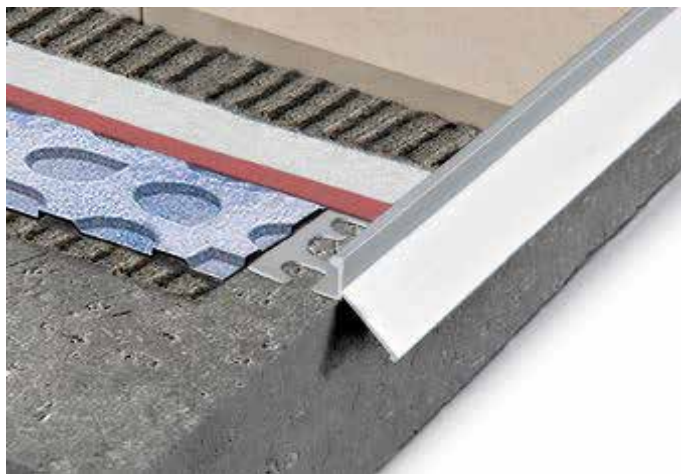




PROTERRACE ECO



DESCRIPTION

PROTERRACE ECO is an aluminium edging profile designed to protect the edges of the tiles laid on terraces and balconies. Thanks to its ease of application is a much sought-after profile.

MATERIAL

PROTERRACE ECO is a natural aluminium edging profile designed to protect the edges of the tiles laid on terraces and balconies. The profile is provided with a punched flange with a width of 23 mm that ensures its final fixing to the support. The front side of the profile has a total height of 20 mm and an inclination of 45° and protects the tile edges. The part of the profile in contact with the tiles is equipped with grooves that facilitate the grout grip. Thanks to its ease of application **PROTERRACE ECO** is a much sought after profile.

AREAS OF USE

PROTERRACE ECO in natural aluminium is an edging profile for terraces, balconies and overhead structures in general.

WARNINGS

Do not use **PROTERRACE ECO** in natural aluminium in swimming pools, in seafront environments and where a high chemical aggression is expected.

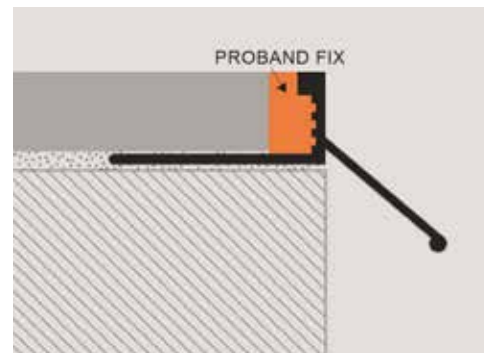
PROTERRACE ECO does not allow a correct water discharge and does not protect the screed.

MAINTENANCE

PROTERRACE ECO does not require any special maintenance. It is suggested to clean it with normal household cleaning products.

LAYING INSTRUCTIONS

1. Choose "**PROTERRACE ECO**" according to the tile thickness.
2. Cut "**PROTERRACE ECO**" to the desired length and fix it to the support with nails.
3. Apply the desired waterproofing system, sealing the joint between profile and waterproofing.
4. Lay the tiles, leaving about 5 mm between tiles and profile.
5. Seal the space between tiles and profile using **PROBAND FIX**.



TEXT TEMPLATE FOR TENDERS

Delivery and installation of edging profile in natural aluminium. Equipped with punched flange with a width of 23 mm, that ensures its final fixing to the support. The front side of the profile has a total height of 20 mm, an inclination of 45° and protects the tiles edges. The part of the profile in contact with the tiles is equipped with grooves that facilitate the grout grip, like PROTERRACE ECO of the Progress Profiles company.

PTEE 08AL / 10AL : Natural aluminium

Profile height : _____ mm
 Profile length : _____ mt
 Material : _____ €/mt
 Application : _____ €/mt
 Total value : _____ €/mt